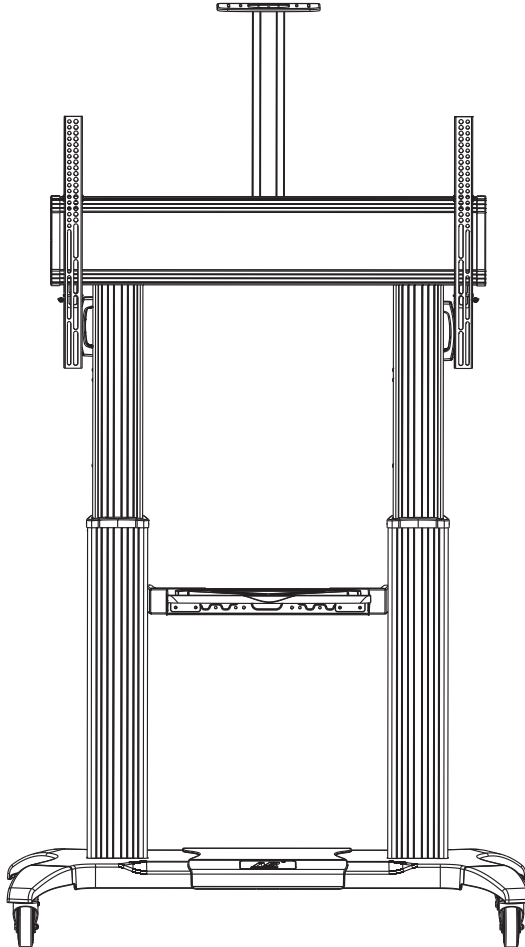




INSTALLATION INSTRUCTION



CF100

Professional Heavy-Duty Displays Mobile Cart

For smart TV panels: 60"-100"

Maximum load capacity: 200 lbs / 90.9 kg

AV shelf max load: 25 lbs / 11.4 kg

Video tray max load: 10 lbs / 4.5 kg

VESA:200x200-1000x600mm

Kunshan Hongjie Electronics Co., Ltd

Add:58, South of Xinxing Road, Economic Development Zone.
Kunshan City, Jiangsu Province, China

TEL : 86-512-57971777

<http://www.nbavmount.com>

FAX : 86-512-57970776

E-mail: info@nbavmount.com

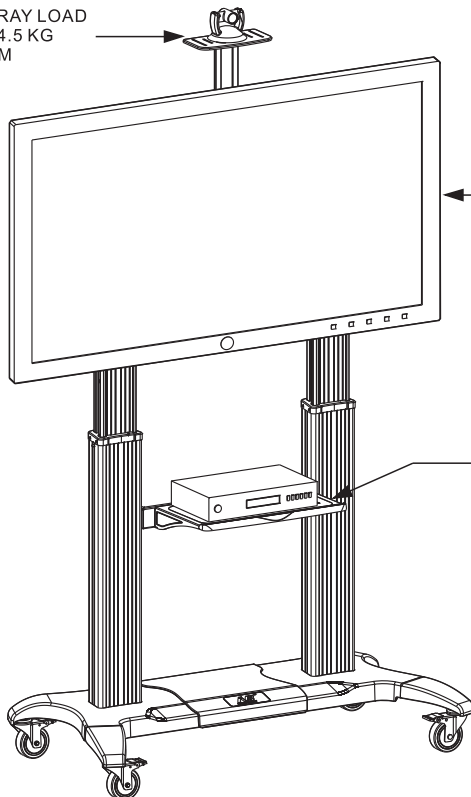
We reserve the right to modify or alter instructions. No modification or alteration without formal notice.

Table of Contents

Table of Contents and Product maximum weight representation	2/16
Warning	3/16
Part list	4/16
Assembly and Installation	
1. Base extension adjustment and wheels installation	5/16
2. Alu columns adjustment	6/16
3. TV interface tilt heads to columns installation	7/16
4. Columns to base installation	8/16
5. AV shelf assembly and installation	9/16
6. TV interface to columns installation	10/16
7. Height adjustment	11/16
8. VESA mounting patterns	12/16
9. Selection of VESA mounting patterns	13/16
10. TV assembly to cart installation	14/16
11. Video tray installation	15/16
12. Cables and wires installation	16/16

★ **Can fit smaller or larger TVs depending upon VESA and TV weight.**

VIDEO TRAY LOAD
10 LBS / 4.5 KG
MAXIMUM



LOAD CAPACITY
200 LBS / 90.9 KG
MAXIMUM

AV SHELF LOAD
25 LBS / 11.4 KG
MAXIMUM

WARNING!

Severe personal injury and property damage can result from improper installation or assembly. Read the following warning carefully before beginning.




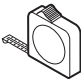






- If you do not understand the instructions or have any concerns or questions, please contact a qualified local installer.
 - Do not install or assemble if the product or hardware is damaged or missing, if you require replacement parts, please contact your local distributor for assistance.
 - This product fits most 60"-100" LCD/plasma screen; maximum weight of LCD/plasma screen:200lbs/90.9kg;AV shelf max load:25lbs/11.4kg;Video tray max load:10lbs/4.5kg.
 - Do not use this product for anything other than the original design.
 - This product contains moving parts, please use with caution.
 - The manufacturer disclaims any liability for the modifications, improper installation, or installation over the specified weight range. The manufacturer will not be liable for any damages arising out of the use of, or inability to use, the product.
 - Death or serious injury may occur when children climb on audio and/or video equipment furniture. A remote control or toys placed on the furnishing may encourage a child to climb on the furnishing and as a result the furnishing may tip over on to the child." or equivalent.
 - Relocating audio and/or video equipment to furniture not specifically designed to support audio and/or video equipment may result in death or serious injury due to the furnishing collapsing or over turning onto a child." or equivalent.
 - Use with products heavier than the maximum weights indicated may result in instability causing possible injury.
- All images are for reference, to prevail in product.

ATTENTION!

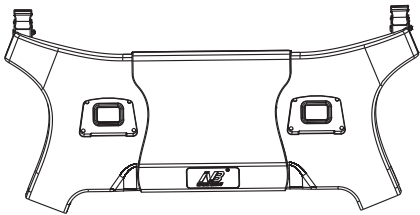

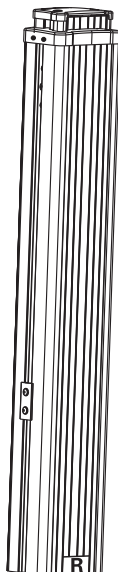
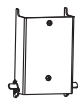
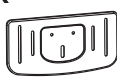


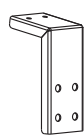

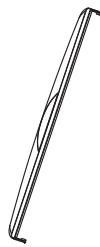




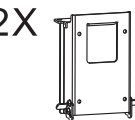












Des blessures graves et des dommages matériels peuvent résulter d'une mauvaise installation de réunion. Lire l'avertissement suivant attentivement avant de commencer.

- Si vous ne comprenez pas les instructions ou avez des préoccupations ou des questions, s'il vous plaît contacter un installateur local qualifié.
 - Ne pas installer ou de montage si le produit ou le matériel est endommagé ou manquant, si vous avez besoin des pièces de rechange, s'il vous plaît contacter votre distributeur local pour l'assistance.
 - Ce produit convient à la plupart 60"-100"écran plasma / LCD; Poids maximum de l'écran LCD / plasma: 200lbs/90.9kg ; étagère AV charge max: 25lbs/11.4kg ; Vidéo plateau charge maxi: 10 lbs / 4,5 kg.
 - Ne pas utiliser ce produit pour autre chose que la conception originale.
 - Ce produit contient des pièces en mouvement, s'il vous plaît utiliser avec prudence.
 - Le fabricant décline toute responsabilité pour les modifications, une mauvaise installation ou d'une installation sur la gamme de poids spécifié. Le fabricant ne sera pas responsable de tout dommage découlant de l'utilisation ou de l'impossibilité d'utiliser le produit.
 - Des blessures graves ou mortelles peuvent survenir lorsque des enfants montent sur des meubles d'équipement audio et / ou vidéo. Une télécommande ou des jouets placés sur l'ameublement peut encourager un enfant à grimper sur l'ameublement et, par conséquent, l'ameublement peut renverser sur l'enfant »ou équivalent.
 - Le déplacement de l'équipement audio et / ou vidéo vers des meubles qui ne sont pas spécifiquement conçus pour supporter un équipement audio et / ou vidéo peut entraîner la mort ou des blessures graves du fait que l'ameublement s'est effondré ou tourné sur un enfant.
 - L' utilisation des produits dépassant le poids maximum indiqué pourrait provoquer une instabilité susceptible de causer des blessures.
- Toutes les images sont à titre de référence, à l'emporter dans le produit.

Manual

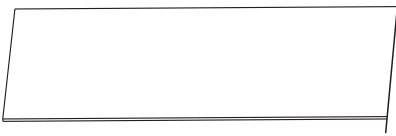
							
Tightening Direction	Loosening Direction	Phillips Screwdriver	Metre Rule	Adjustment	By Hang	Hex Wrench	 Tightening  Loosening

Parts List

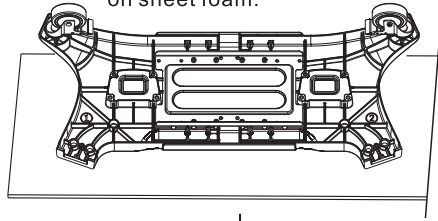
<p>1X</p> 	<p>1XL</p> 	<p>1XR</p> 	<p>1X</p> 	<p>1X</p> 	<p>2X</p> 
<p>1X</p> 			<p>2X</p> 		
<p>1X</p> 	<p>1X</p> 	<p>1XL</p> 	<p>1XR</p> 	<p>1X</p> 	<p>2X</p> 
<p>2X</p> 					<p>2X</p> 
<p>A 4X</p>  <p>M5×25mm</p>	<p>B 4X</p>  <p>M6×25mm</p>	<p>C 4X</p>  <p>M8×25mm</p>	<p>D 4X</p>  <p>M10×15mm</p>	<p>E 4X</p>  <p>Φ16×Φ6.2×1.5mm</p>	<p>F 4X</p>  <p>Φ15×Φ8.2×10mm</p>
<p>G 8X</p>  <p>M8×40mm</p>	<p>H 8X</p>  <p>M6×25mm</p>	<p>I</p>  <p>M5</p>	<p>J</p>  <p>M6</p>	<p>K 2X</p>  <p>Φ 16×12.5×T2mm</p>	

1. Base extension adjustment and wheels installation

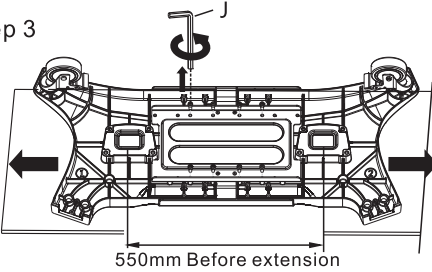
Step 1:
Take sheet foam from
box and lay it on floor.



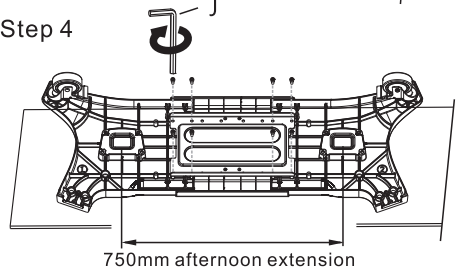
Step 2:
Put base upside down
on sheet foam.



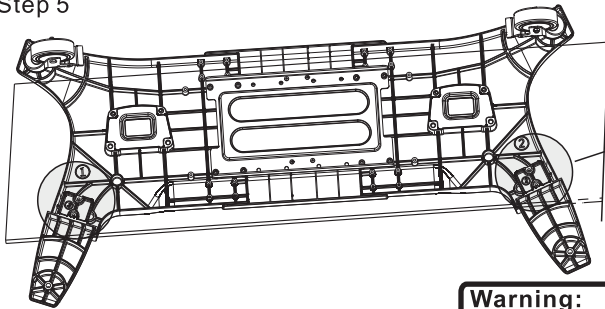
Step 3



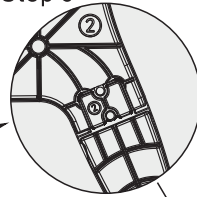
Step 4



Step 5

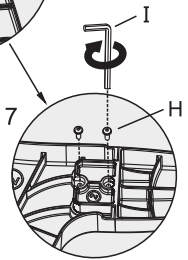


Step 6

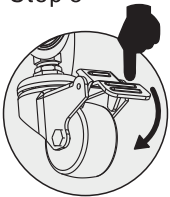


Warning:
Ensure screws are
secured firmly.

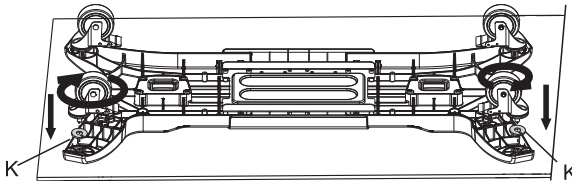
Step 7



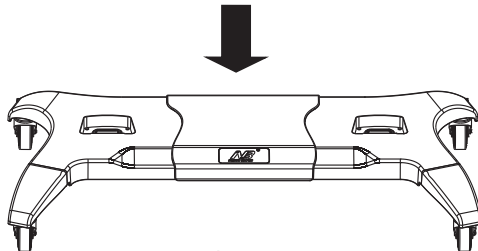
Step 8



Step 9

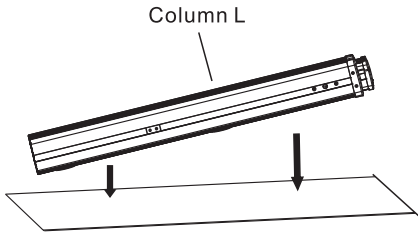


Step 10
Turn base back to
normal and move
away from sheet foam

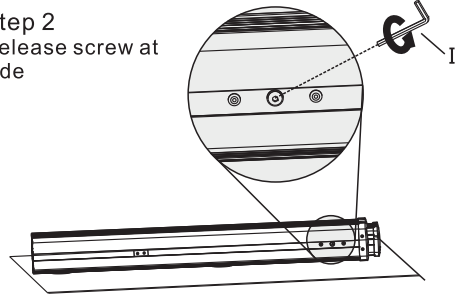


2. Alu columns adjustment

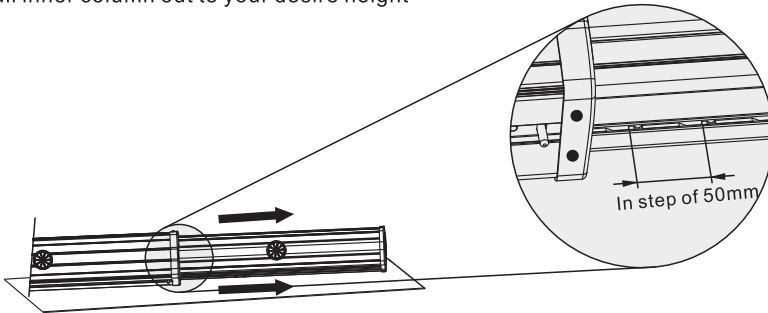
Step 1
Put a column on sheet foam



Step 2
Release screw at side



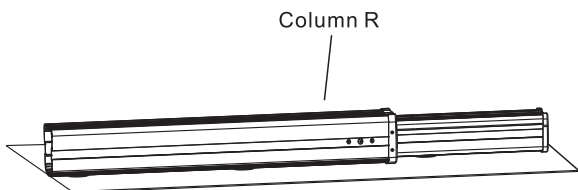
Step 3
Pull inner column out to your desire height



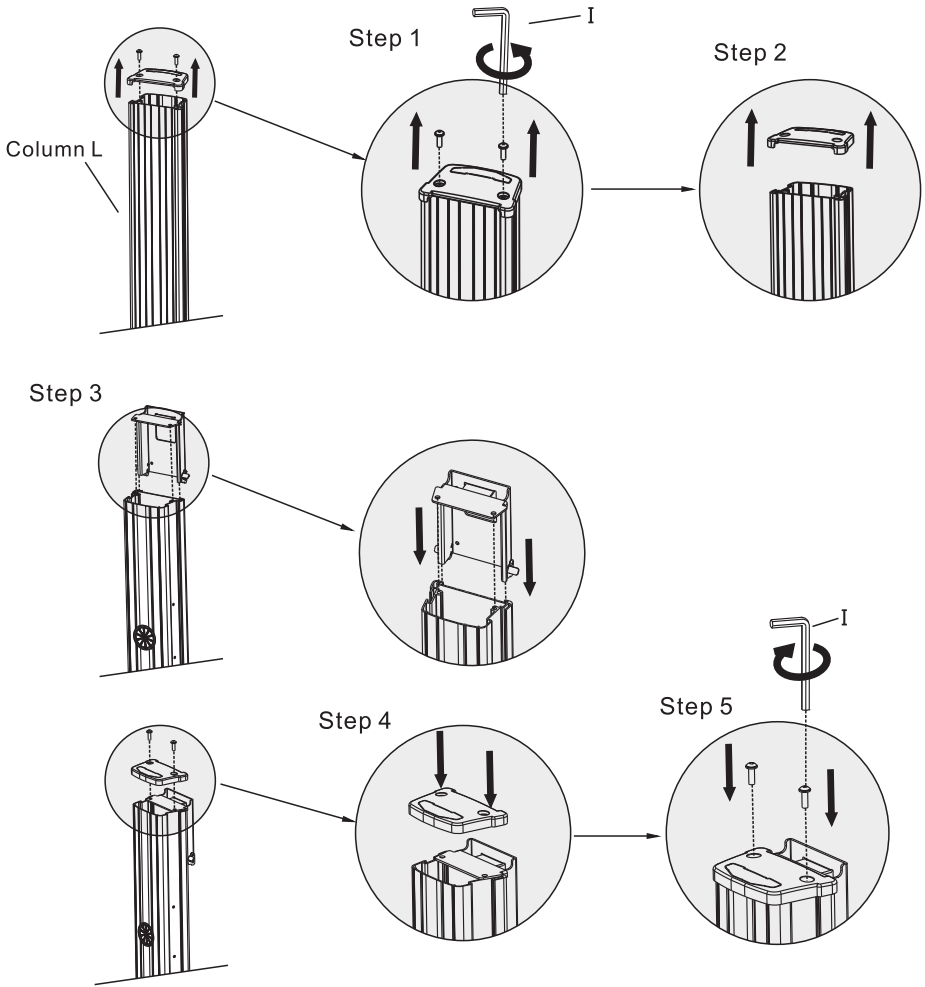
Step 4




Step 5
Repeat step 1 to 4 on the other column R

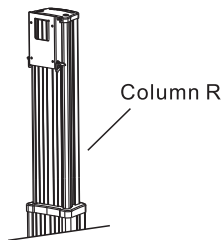


3. TV interface tilt heads to columns installation



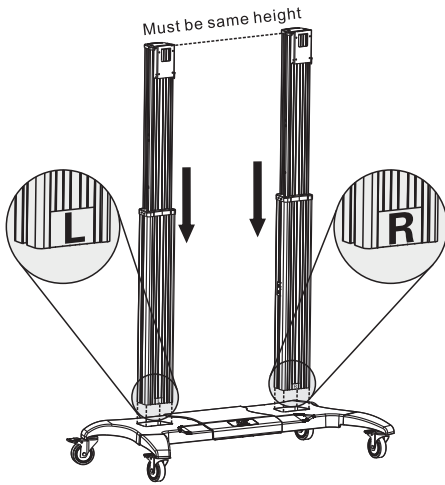
Step 6
Repeat step 1 to 5 on column R

Warning: 
Ensure screws are secured firmly.

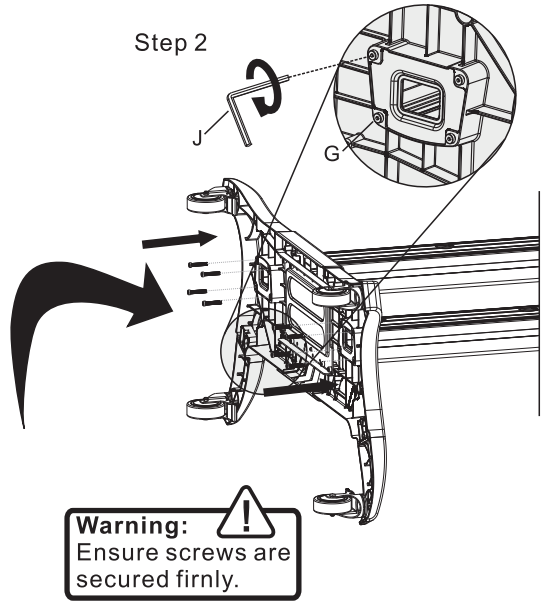


4. Columns to base installation

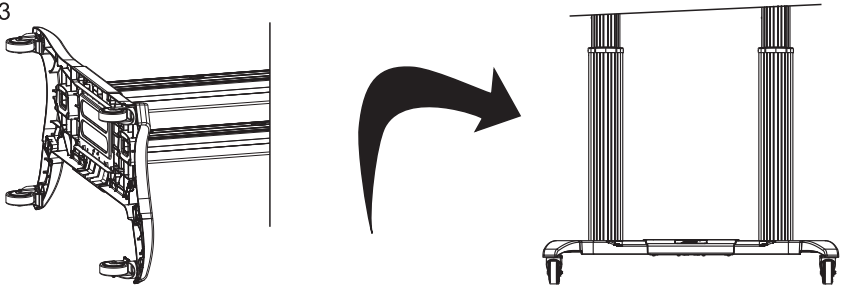
Step 1



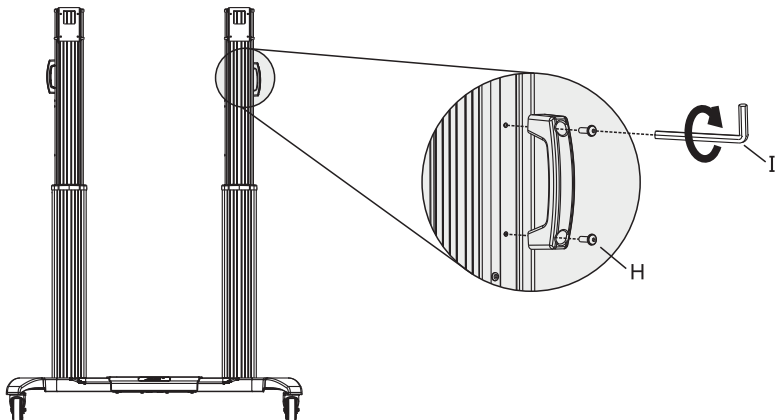
Step 2



Step 3

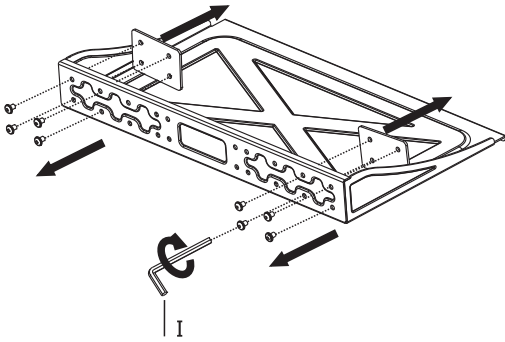


Step 4

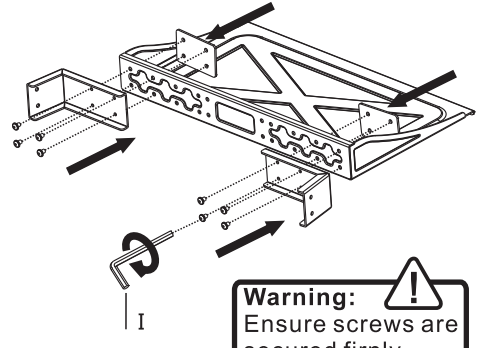


5. AV shelf assembly and installation

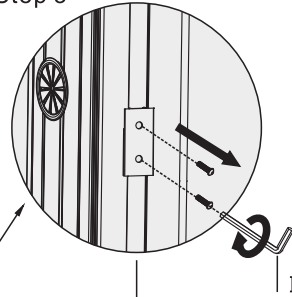
Step 1



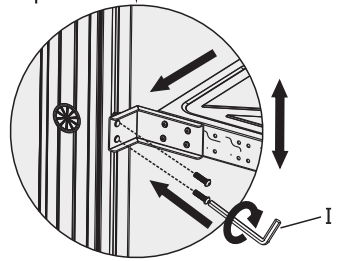
Step 2



Step 3

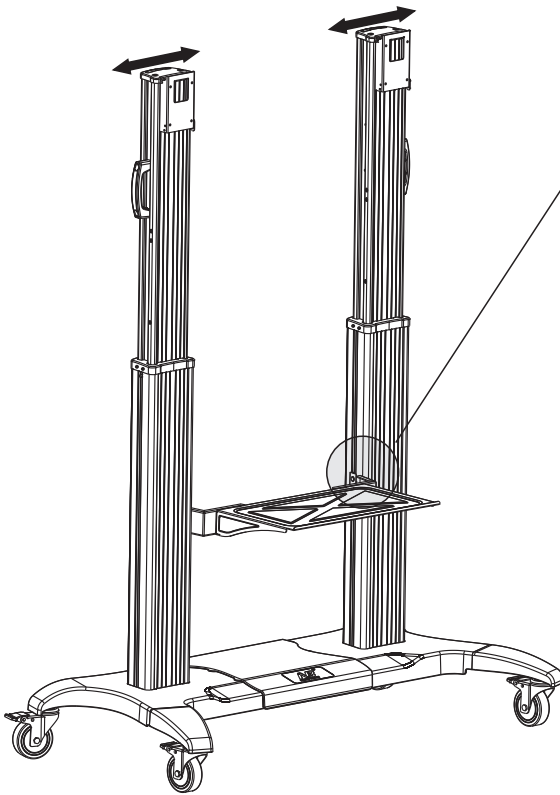
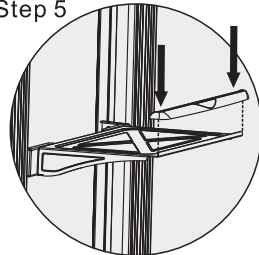


Step 4



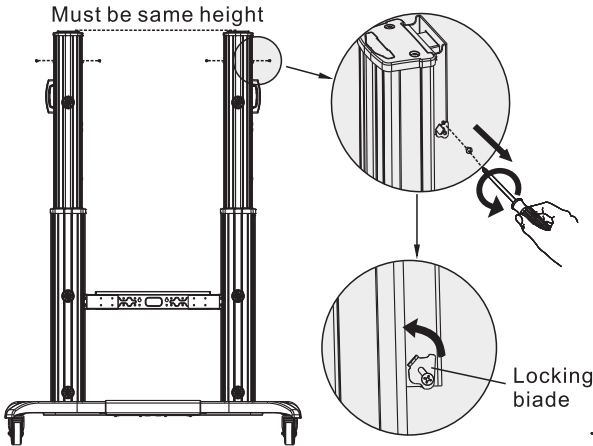
Note:
To adjust shelf height, simply loosen 4X screws at sides and tighten firmly after set.

Step 5

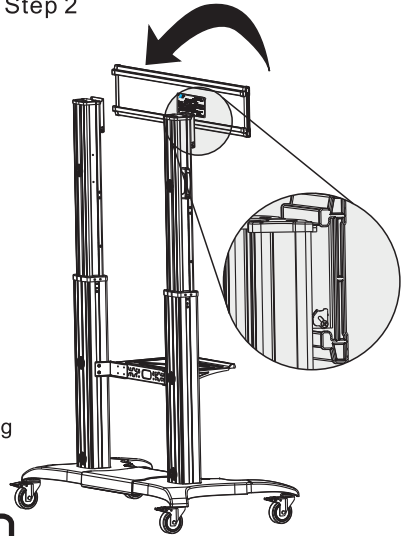


6. TV interface to columns installation

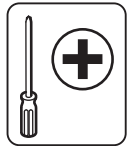
Step 1



Step 2

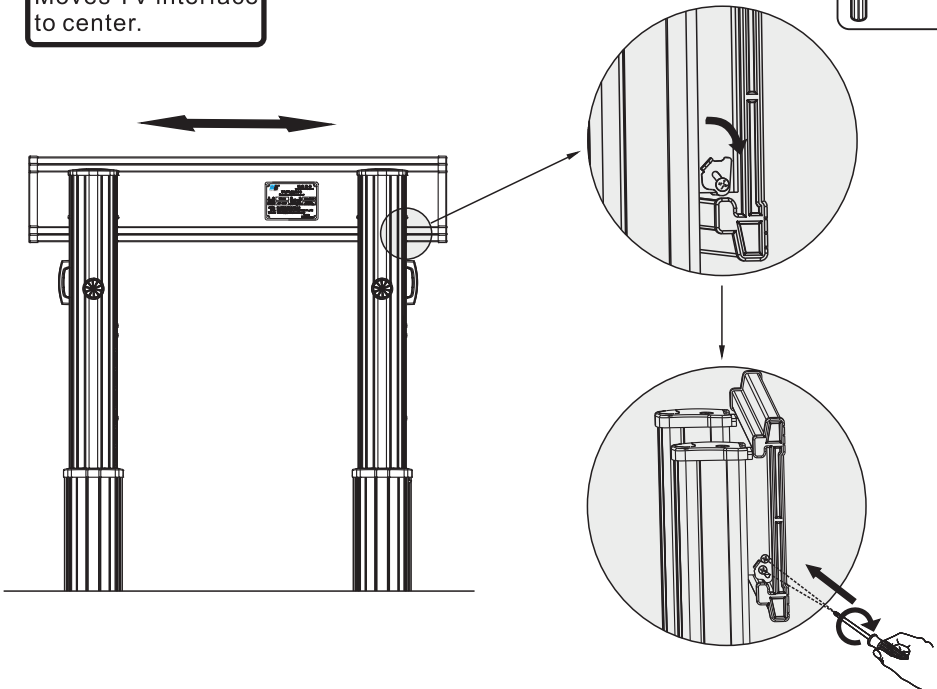


Caution:
Before put on interface plate,
locking blade should be
pointed upward.



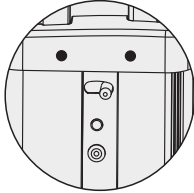
Step 3

Note:
Moves TV interface
to center.



7. Height adjustment

Step : If required height needs to be lower down, need 2 men. One man holds onto interface assembly, the other release screw at side, and slide stopper catch backward and hold, 1st man allow interface assembly slide down slowly until the desired height, free stopper catch and it will back to its original place. Tighten screw.



Warning:
Be sure the stopper catch rest at palace.

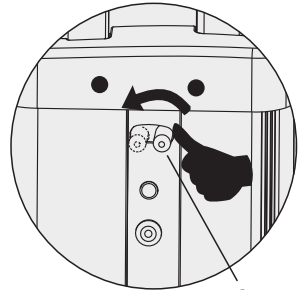


Figure 1
Stopper catch

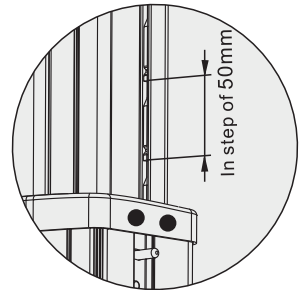


Figure 2

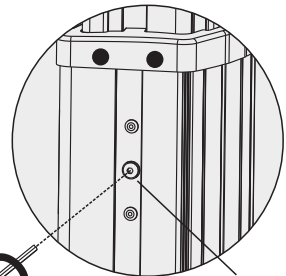
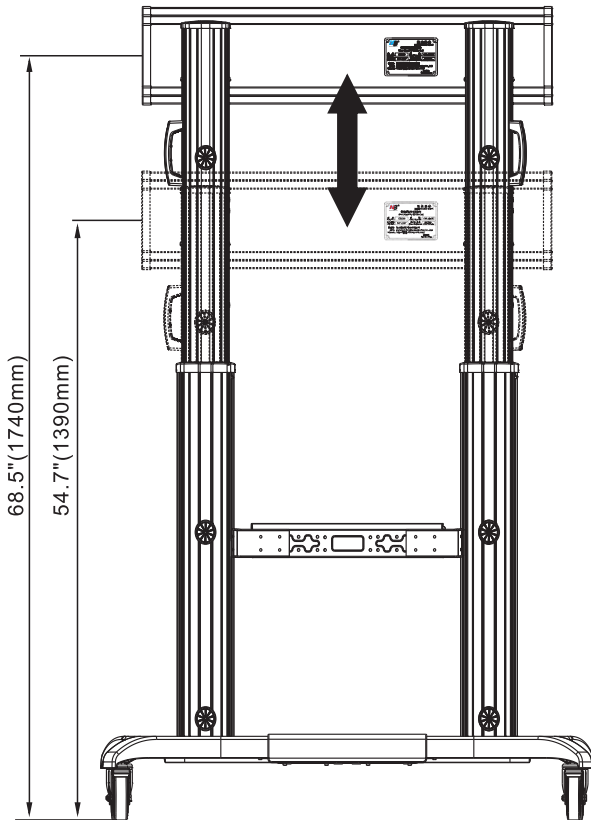
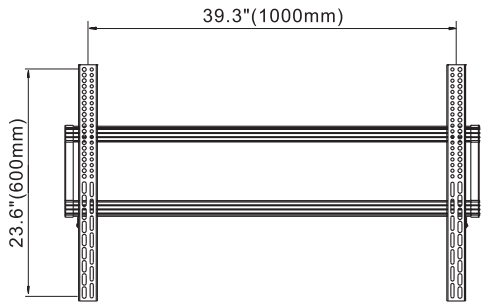
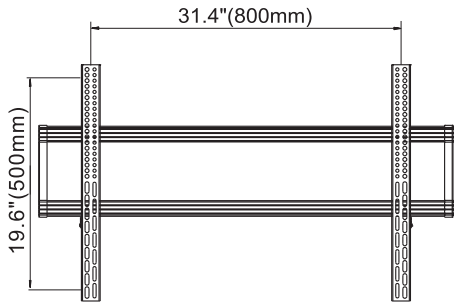
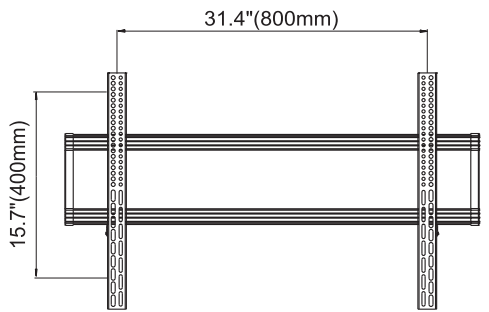
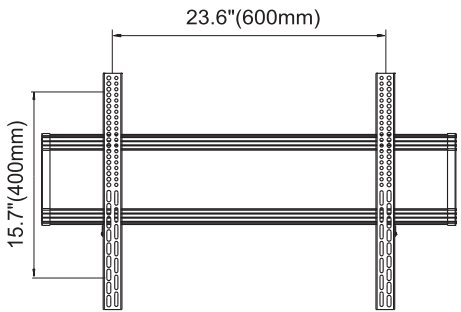
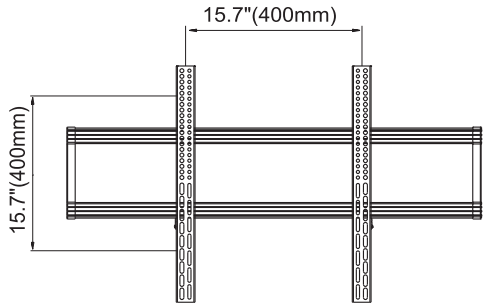
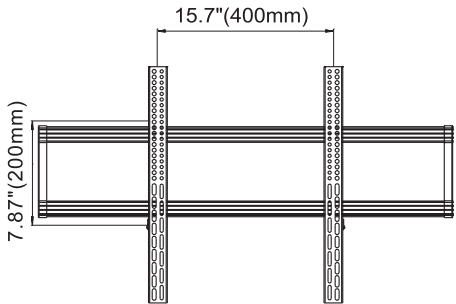
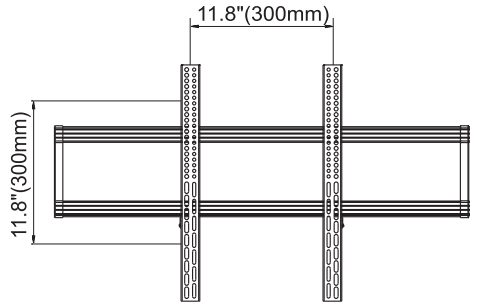
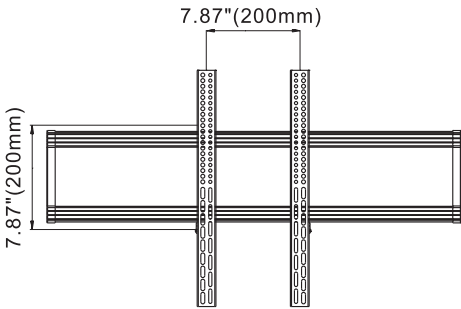


Figure 3
Jammed screw



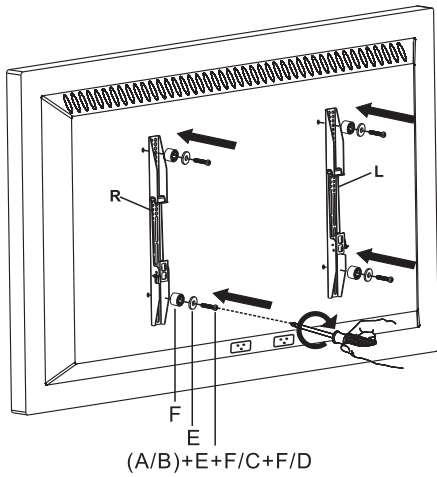
8. VESA mounting patterns

VESA: 200×200-1000×600

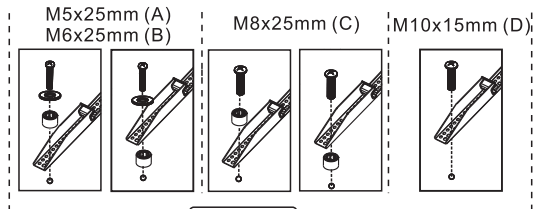
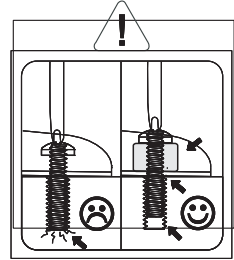


9. Selection of VESA mounting patterns

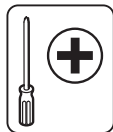
Step 1



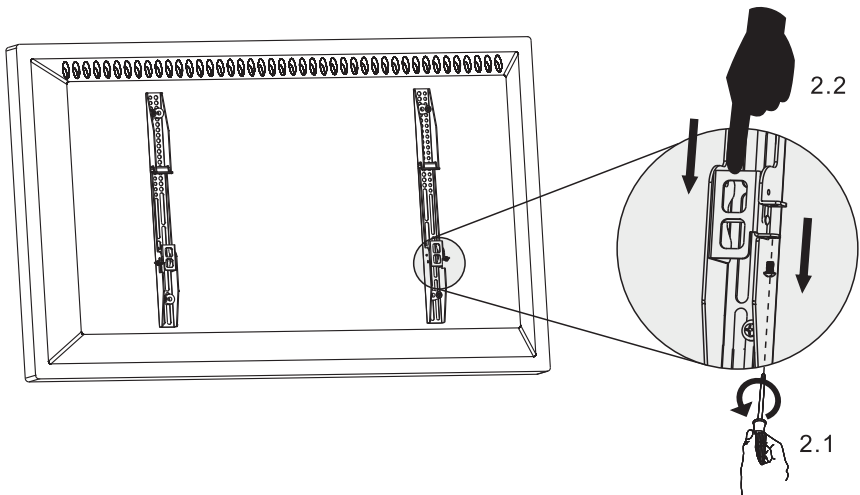
Note :
To avoid damage plastic spacers must be used when depth of mounting holes is at minimal.



Cautions



Step 2



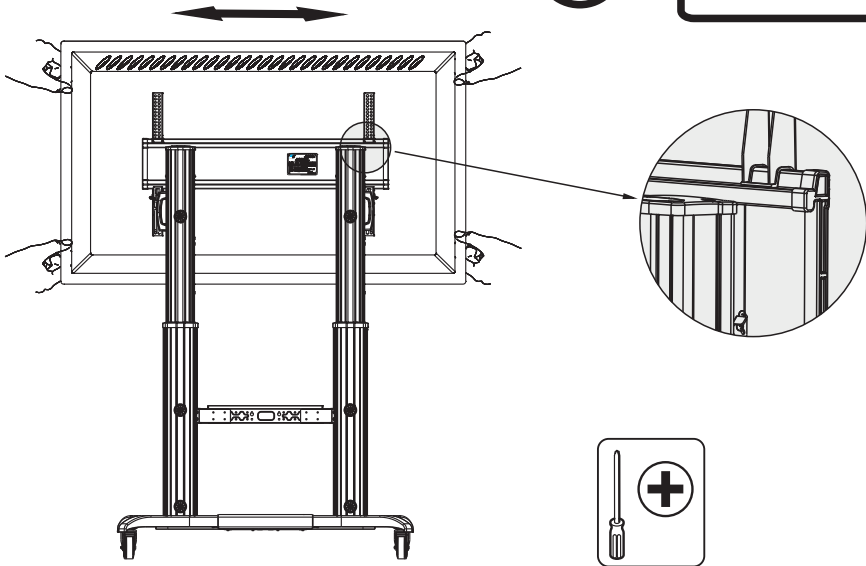
10. TV assembly to cart installation

Step 1

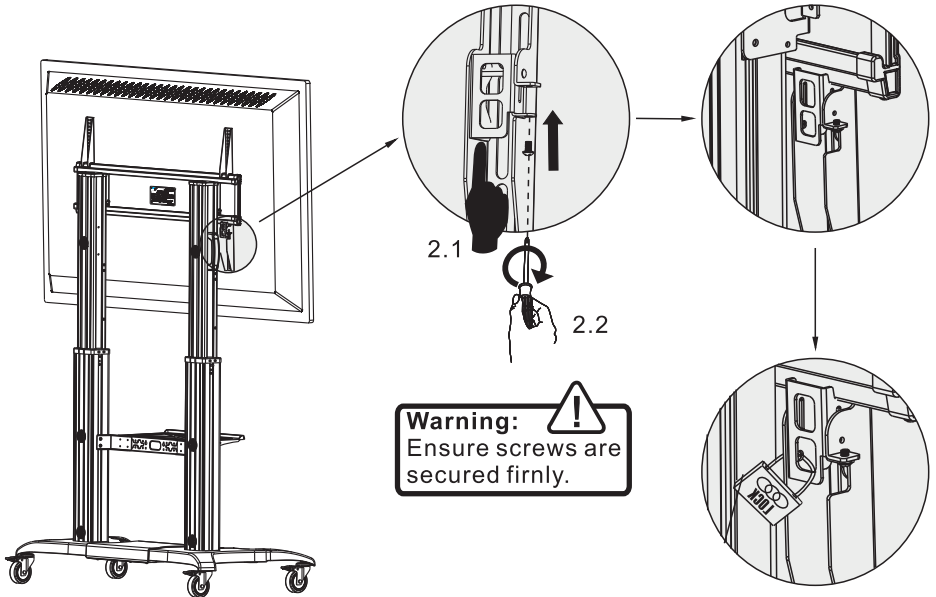
Note:
Moves TV to center.



Warning: 
Need 2 men to hook on TV to avoid accident.



Step 2



Warning: 
Ensure screws are secured firmly.

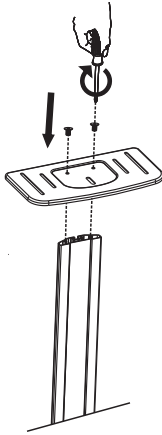
Pad lock not supplied

11. Video tray installation

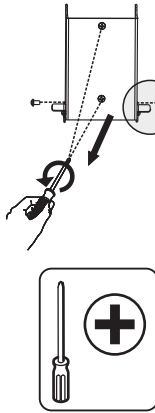
Step 1



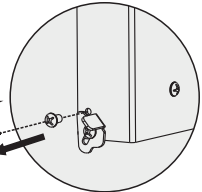
Step 2



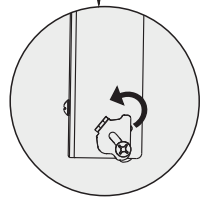
Step 3
Release 2 screws



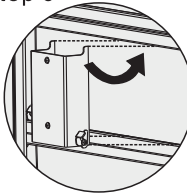
Step 4



Step 5



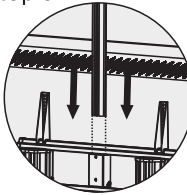
Step 6



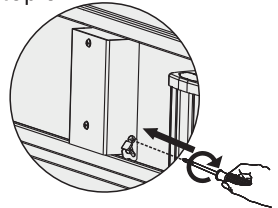
Step 7



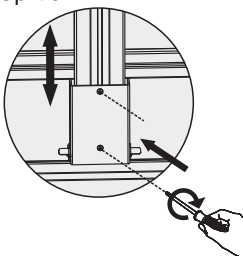
Step 9



Step 8

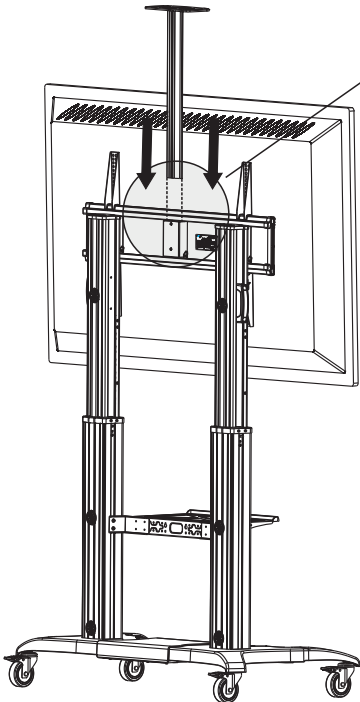


Step 10



Note:
Adjustable
height.

Warning: 
Ensure screws are
secured firmly.



12. Cables and wires installation

Note:

Be caution when routing wires to avoid damage.

